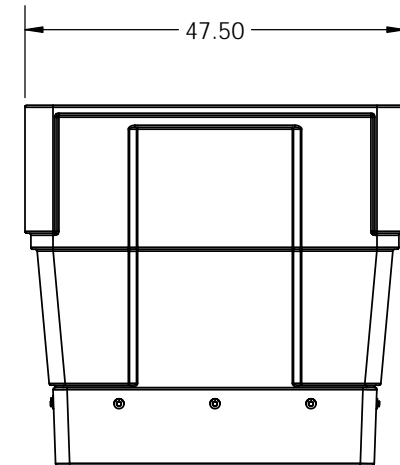
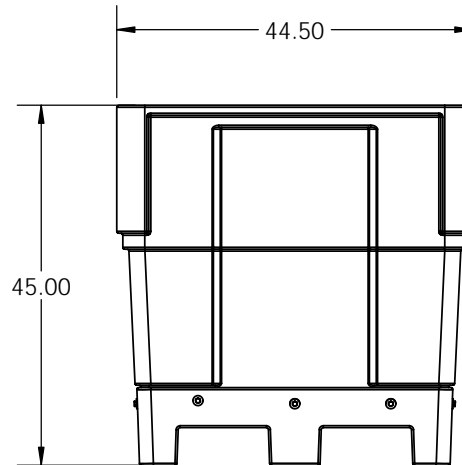
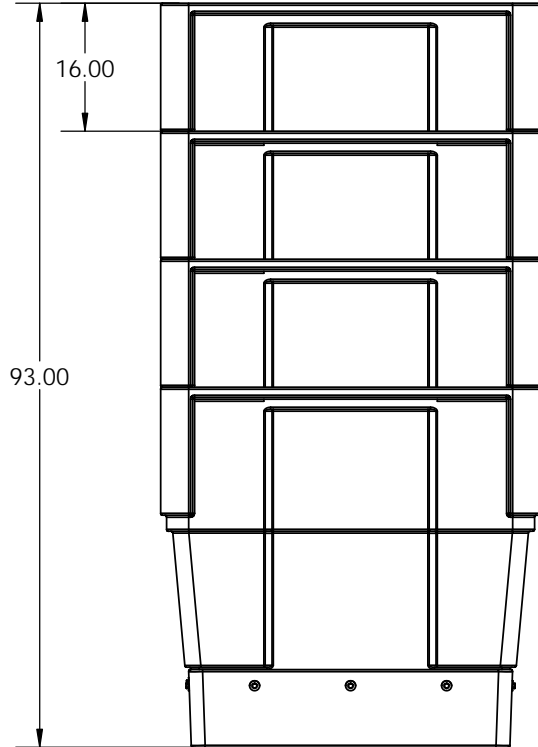
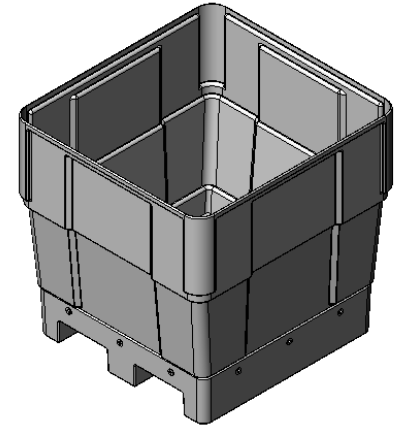


LID (OPTIONAL)



NOTES:

- 1) CAPACITIES
 - CU. FT.: 39
 - GALLONS: 290

	NAME	DATE	Rotational Molding Inc.		
DRAWN	A. Ruiz	10/31/2014			
CHECKED			TITLE: BTF-43 2-way Assembly		
ENG APPR.					
MFG APPR.					
Q.A.					
DATE LAST SAVED: 11/4/2014			SIZE A	DWG. NO.	REV
DO NOT SCALE DRAWING			SCALE: 1:24		SHEET 1 OF 1