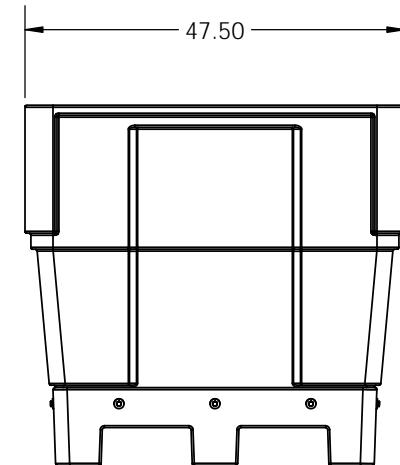
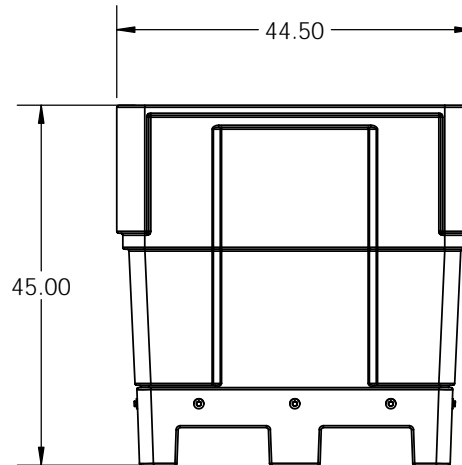
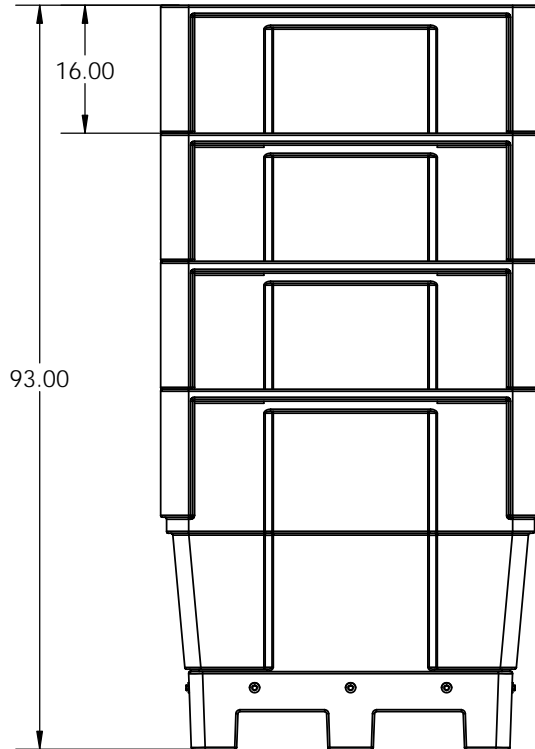
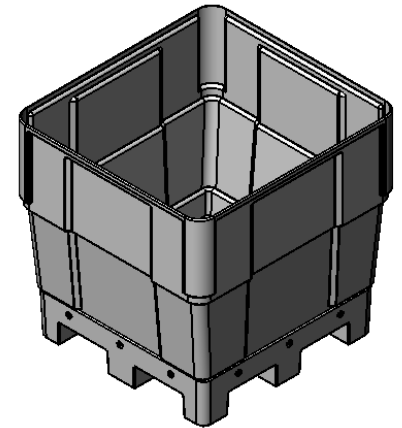


LID (OPTIONAL)



NOTES:

- 1) CAPACITIES
  - CU. FT.: 39
  - GALLONS: 290

	NAME	DATE	<b>Rotational Molding Inc.</b>		
DRAWN	A. Ruiz	10/31/2014			
CHECKED			TITLE: BTF-43 4-way Assembly		
ENG APPR.					
MFG APPR.					
Q.A.					
DATE LAST SAVED: 11/4/2014			SIZE <b>A</b>	DWG. NO.	REV
DO NOT SCALE DRAWING			SCALE: 1:24		SHEET 1 OF 1