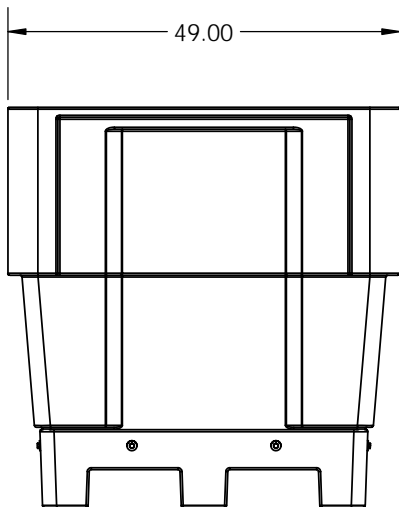
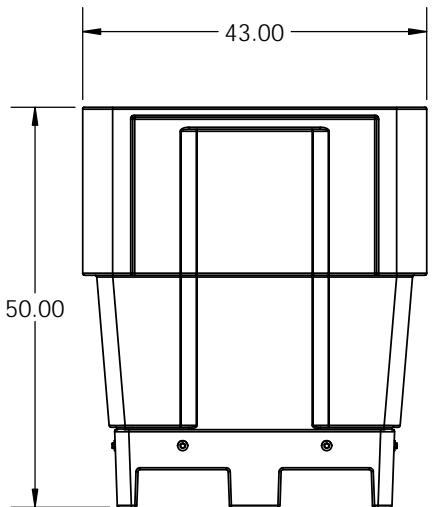
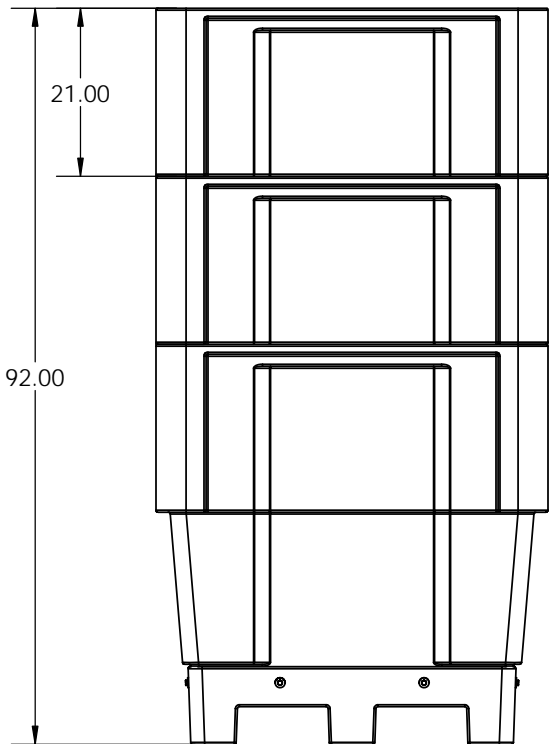
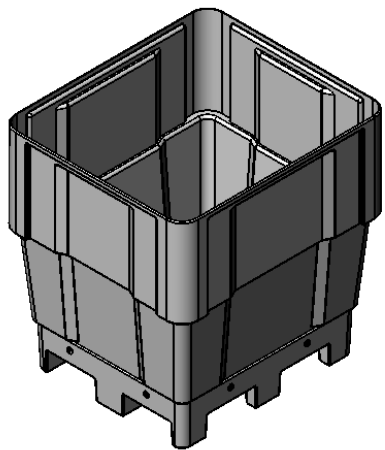


LID (OPTIONAL)



NOTES:

- 1) CAPACITIES
- CU. FT.: 42
- GALLONS: 315

	NAME	DATE	<b>Rotational Molding Inc.</b>								
DRAWN	A. Ruiz	10/31/2014				TITLE: BTF-50 Assembly					
CHECKED			<table border="1"> <tr> <td>SIZE <b>A</b></td> <td>DWG. NO.</td> <td>REV</td> </tr> <tr> <td colspan="3">SHEET 1 OF 1</td> </tr> </table>			SIZE <b>A</b>	DWG. NO.	REV	SHEET 1 OF 1		
SIZE <b>A</b>	DWG. NO.	REV									
SHEET 1 OF 1											
ENG APPR.											
MFG APPR.											
Q.A.											
DATE LAST SAVED: 11/4/2014			SCALE: 1:24								
DO NOT SCALE DRAWING											