

NOTES:

- 1) Outside radius is .12" minimum
- 2) Rear lid volume: 1 Gal.
- 3) Front lid volume: 7 Gal.
- 4) Can volume (not liquid level): 232 Gal.
- 5) Assembled container volume: 240 Gal.

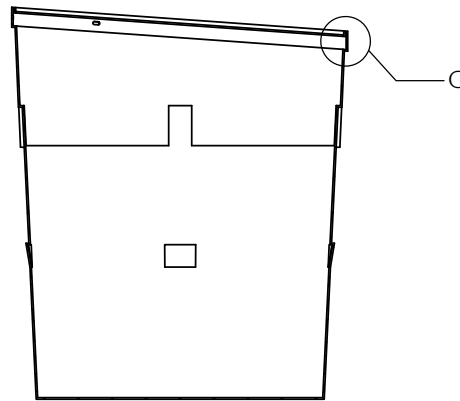
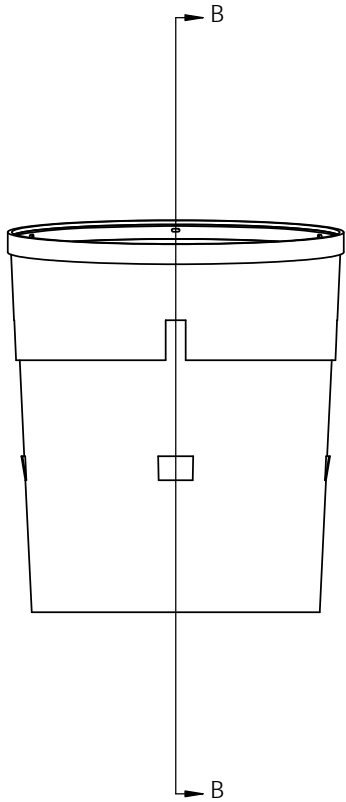
**PROPRIETARY AND CONFIDENTIAL**  
 THE INFORMATION CONTAINED IN THIS DRAWING IS THE SOLE PROPERTY OF ROTATIONAL MOLDING INC. ANY REPRODUCTION IN PART OR AS A WHOLE WITHOUT THE WRITTEN PERMISSION OF ROTATIONAL MOLDING INC IS PROHIBITED.

UNLESS OTHERWISE SPECIFIED:	NAME	DATE
ALL DIMENSIONS SHOWN ARE OUTSIDE PART DIMENSIONS IN INCHES AND VARY BY THE STANDARD ROTATIONAL MOLDING TOLERANCE OF $\pm 3\%$	DRAWN	A. Ruiz 2/6/2015
	CHECKED	
	ENG APPR.	
	MFG APPR.	
	Q.A.	
INTERPRET GEOMETRIC TOLERANCING PER:	COMMENTS:	
MATERIAL	DATE LAST SAVED: 2/6/2015	
FINISH		
DO NOT SCALE DRAWING		

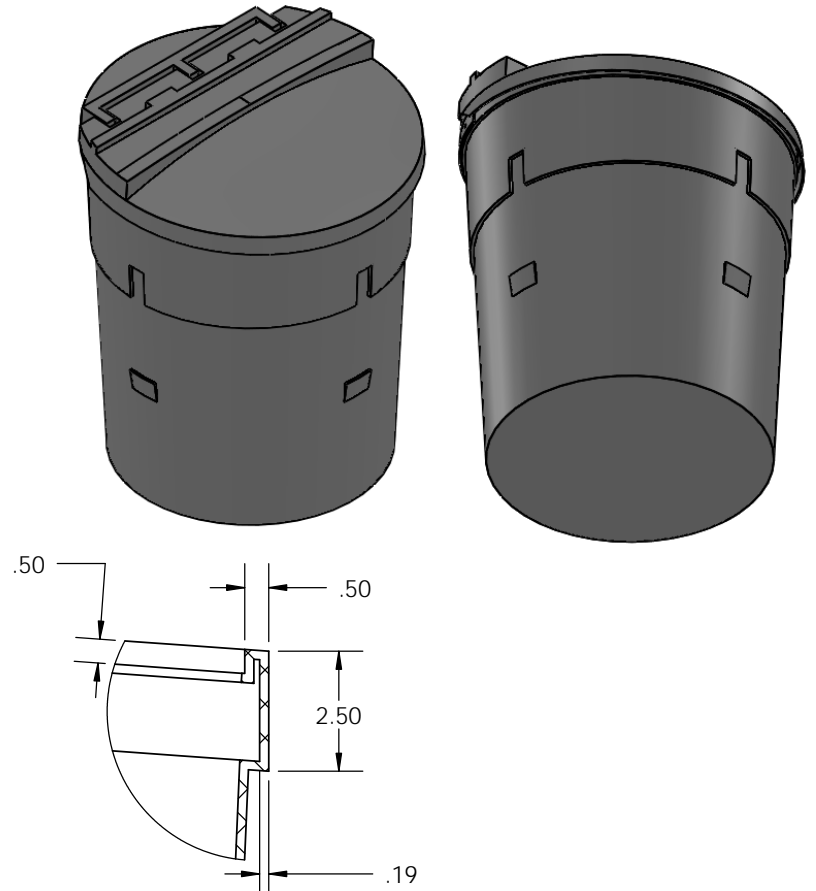
**ROTATIONAL MOLDING INC.**

TITLE:  
 Container 240 Gallon slant

SIZE	DWG. NO.	REV
<b>A</b>		
SCALE: 1:24	WEIGHT:	SHEET 1 OF 2



SECTION B-B



DETAIL C  
SCALE 1 : 4

UNLESS OTHERWISE SPECIFIED:	NAME	DATE
ALL DIMENSIONS SHOWN ARE OUTSIDE PART DIMENSIONS IN INCHES AND VARY BY THE STANDARD ROTATIONAL MOLDING TOLERANCE OF ±3%	DRAWN	A. Ruiz 2/6/2015
	CHECKED	
	ENG APPR.	
	MFG APPR.	
	Q.A.	
INTERPRET GEOMETRIC TOLERANCING PER:	COMMENTS:	
MATERIAL	DATE LAST SAVED: 2/6/2015	
FINISH		
DO NOT SCALE DRAWING		

**PROPRIETARY AND CONFIDENTIAL**  
THE INFORMATION CONTAINED IN THIS DRAWING IS THE SOLE PROPERTY OF ROTATIONAL MOLDING INC. ANY REPRODUCTION IN PART OR AS A WHOLE WITHOUT THE WRITTEN PERMISSION OF ROTATIONAL MOLDING INC IS PROHIBITED.

**ROTATIONAL MOLDING INC.**

TITLE: Container 240 Gallon slant		
SIZE <b>A</b>	DWG. NO.	REV
SCALE: 1:24	WEIGHT:	SHEET 2 OF 2