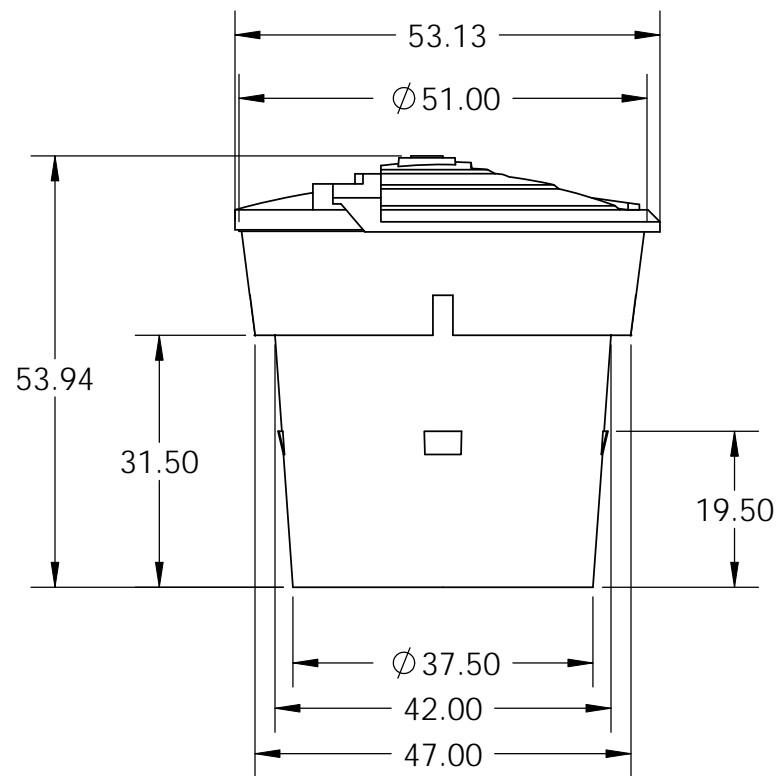
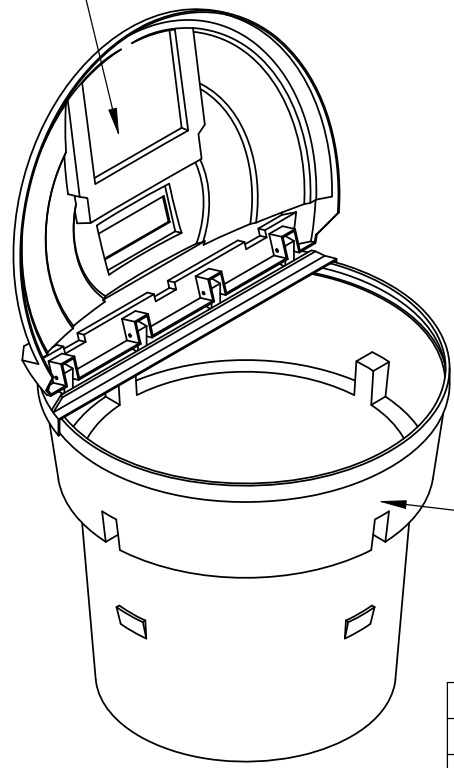
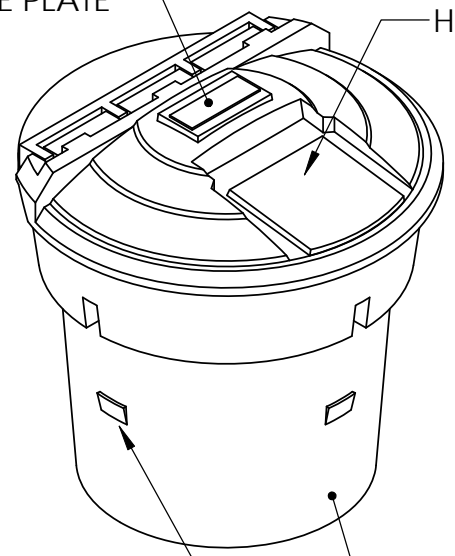


LID WALL THICKNESS: .160"



NAME PLATE

HATCH



SERIAL NUMBER 1-1/2" LETTERS
HOT STAMPED IN WHITE
UP TO NINE CHARACTERS

CONTAINER WALL THICKNESS: .240"

FOUR MOLDED-IN ANTI-SLIP TABS

	NAME	DATE
DRAWN	A. Ruiz	8/27/2012
CHECKED		
ENG APPR.		
MFG APPR.		
Q.A.		

Rotational Molding Inc.

TITLE:
Container 300 Gallon Hatch Assembly

COMMENTS:

SIZE A	DWG. NO.	REV 8-29-12
------------------	----------	----------------

SCALE: 1:24	WEIGHT:	SHEET 1 OF 1
-------------	---------	--------------

PROPRIETARY AND CONFIDENTIAL
THE INFORMATION CONTAINED IN THIS DRAWING IS THE SOLE PROPERTY OF ROTATIONAL MOLDING INC.. ANY REPRODUCTION IN PART OR AS A WHOLE WITHOUT THE WRITTEN PERMISSION OF ROTATIONAL MOLDING INC. IS PROHIBITED.