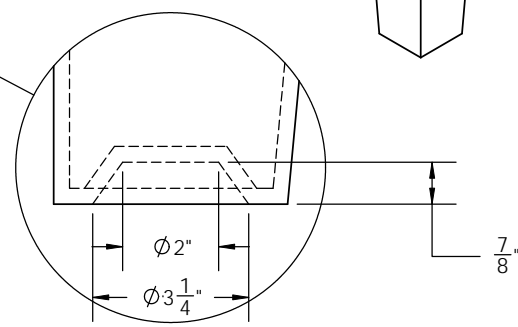
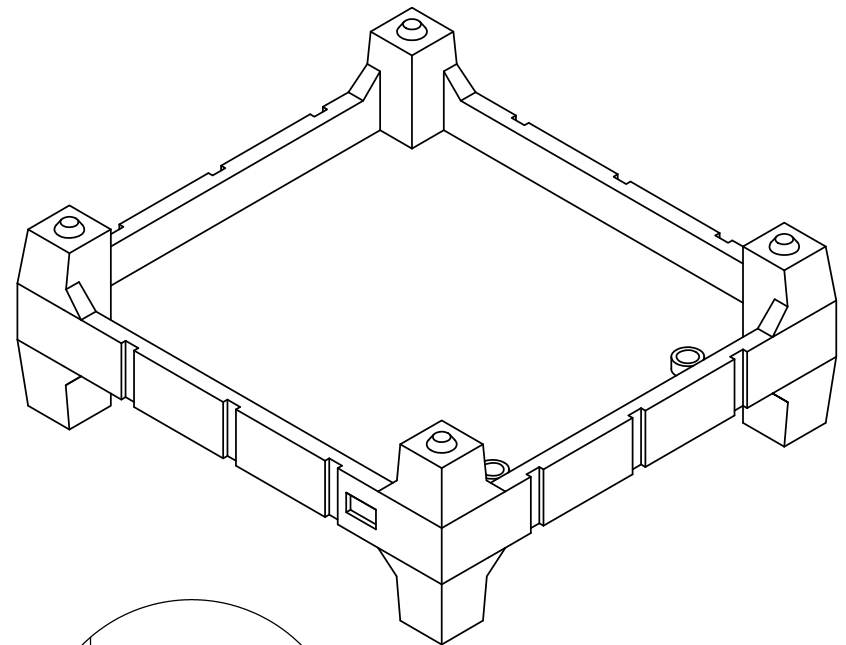
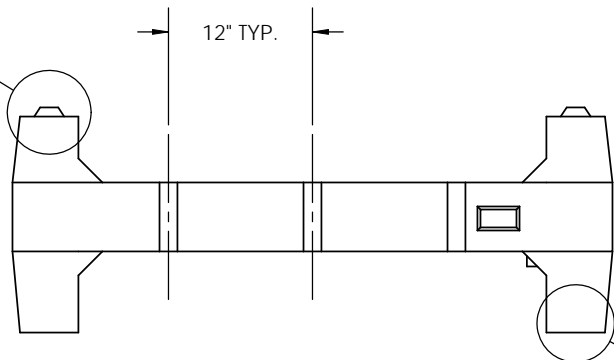
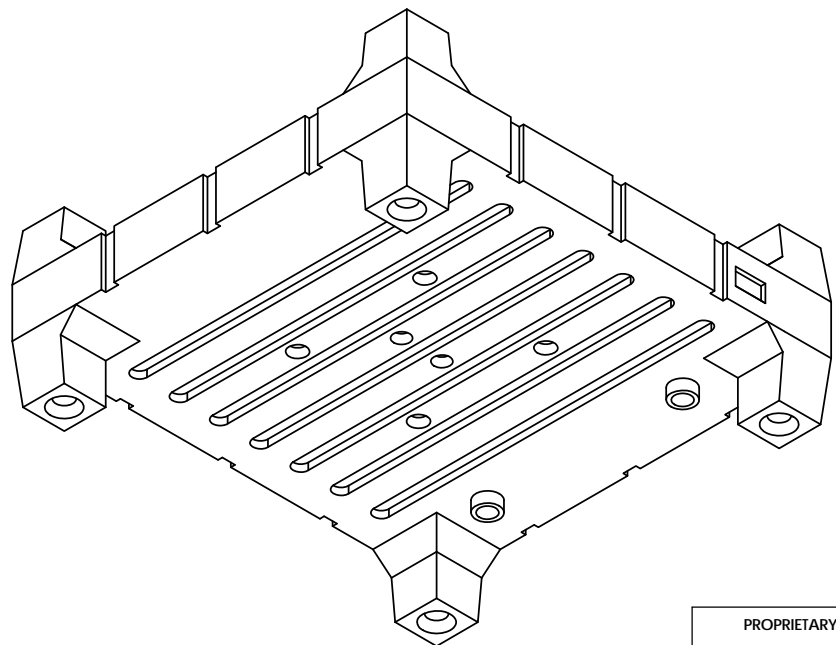


DETAIL B  
SCALE 1 : 8



DETAIL A  
SCALE 1 : 4



Note: At 3" from the bottom  
the tray measures 49.3" x 45.8"

**PROPRIETARY AND CONFIDENTIAL**  
THE INFORMATION CONTAINED IN THIS  
DRAWING IS THE SOLE PROPERTY OF  
ROTATIONAL MOLDING INC.. ANY  
REPRODUCTION IN PART OR AS A WHOLE  
WITHOUT THE WRITTEN PERMISSION OF  
ROTATIONAL MOLDING INC. IS  
PROHIBITED.

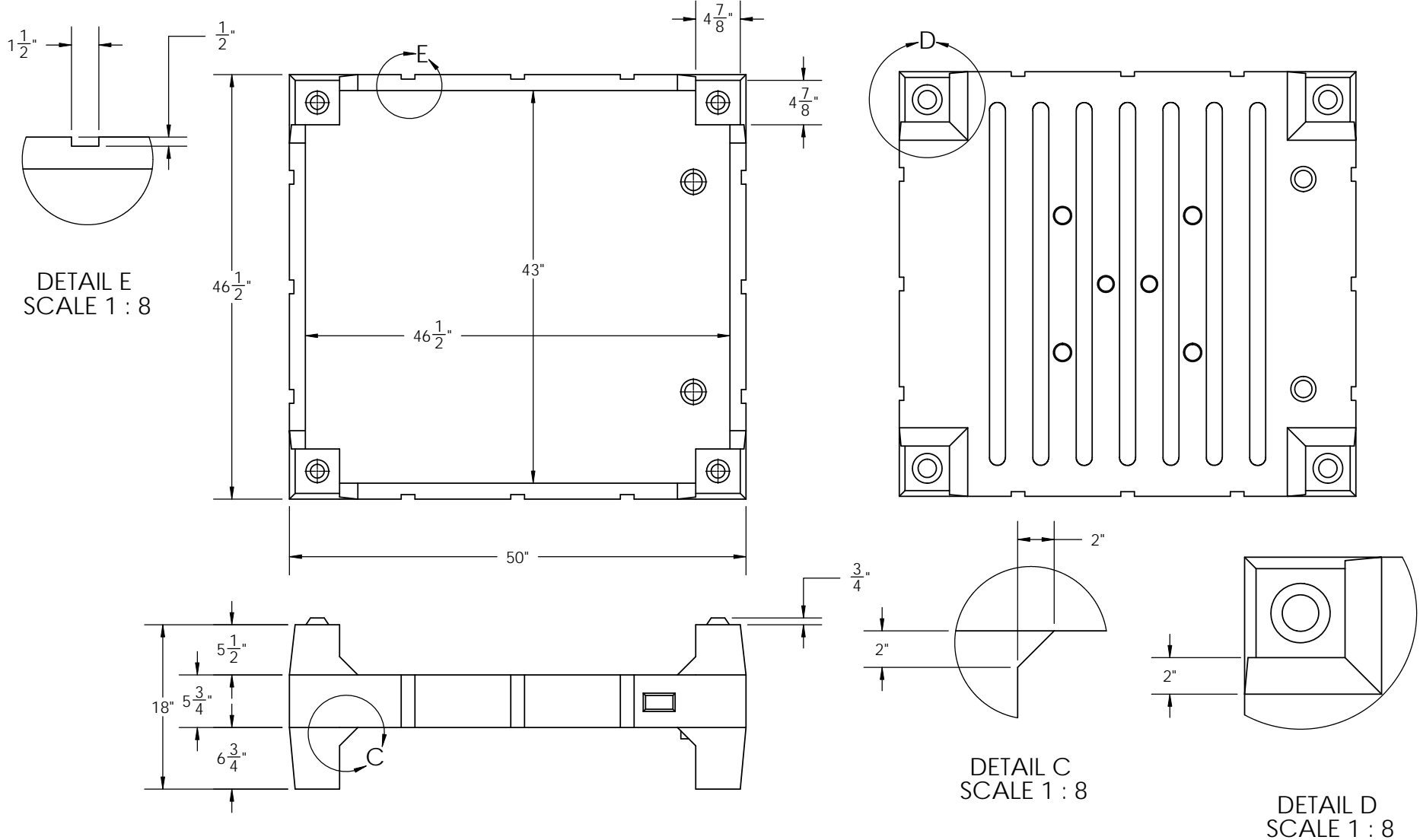
	NAME	DATE
DRAWN	A. Ruiz	11/14/2012
CHECKED		
ENG APPR.		
MFG APPR.		
Q.A.		

**Rotational Molding Inc.**

TITLE:  
Endive Tray 8-8-13

SIZE	DWG. NO.	REV
<b>A</b>		

SCALE: 1:16 WEIGHT: SHEET 1 OF 2



**PROPRIETARY AND CONFIDENTIAL**  
 THE INFORMATION CONTAINED IN THIS DRAWING IS THE SOLE PROPERTY OF ROTATIONAL MOLDING INC.. ANY REPRODUCTION IN PART OR AS A WHOLE WITHOUT THE WRITTEN PERMISSION OF ROTATIONAL MOLDING INC. IS PROHIBITED.

		UNLESS OTHERWISE SPECIFIED:		NAME	DATE
		DIMENSIONS ARE IN INCHES	DRAWN	A. Ruiz	11/14/2012
		TOLERANCES:	CHECKED		
		FRACTIONAL ±	ENG APPR.		
		ANGULAR: MACH ± BEND ±	MFG APPR.		
		TWO PLACE DECIMAL ±	Q.A.		
		THREE PLACE DECIMAL ±	COMMENTS:		
		INTERPRET GEOMETRIC TOLERANCING PER:			
		MATERIAL			
NEXT ASSY	USED ON	FINISH			
APPLICATION		DO NOT SCALE DRAWING			

<b>Rotational Molding Inc.</b>		
TITLE: Endive Tray 8-8-13		
SIZE <b>A</b>	DWG. NO.	REV
SCALE: 1:16	WEIGHT:	SHEET 2 OF 2