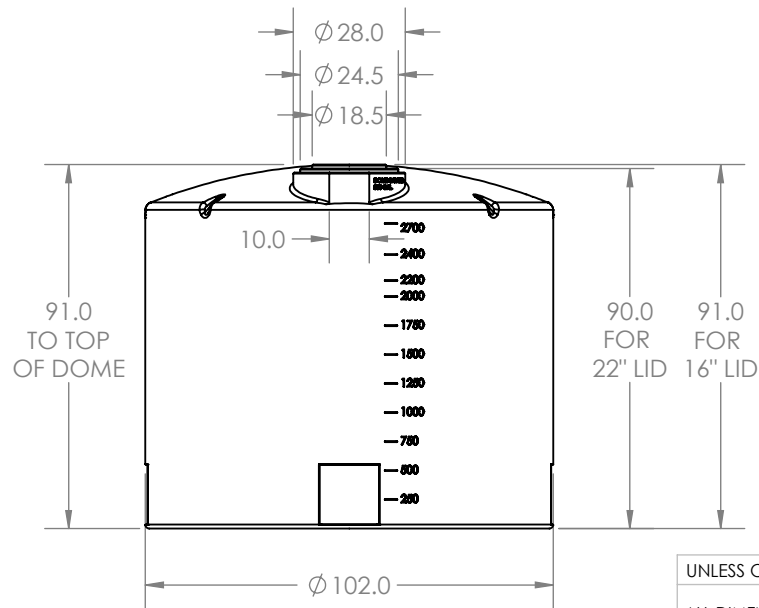


Capacity: 3000 Gallons



PROPRIETARY AND CONFIDENTIAL
 THE INFORMATION CONTAINED IN THIS DRAWING IS THE SOLE PROPERTY OF ROTATIONAL MOLDING INC. ANY REPRODUCTION IN PART OR AS A WHOLE WITHOUT THE WRITTEN PERMISSION OF ROTATIONAL MOLDING INC IS PROHIBITED.

UNLESS OTHERWISE SPECIFIED:

ALL DIMENSIONS SHOWN ARE OUTSIDE PART DIMENSIONS IN INCHES AND VARY BY THE STANDARD ROTATIONAL MOLDING TOLERANCE OF ±3%

INTERPRET GEOMETRIC TOLERANCING PER:

MATERIAL

FINISH

DO NOT SCALE DRAWING

	NAME	DATE
DRAWN	Dylan M.	12/14/2015
CHECKED		
ENG APPR.		
MFG APPR.		
Q.A.		
COMMENTS:		
DATE LAST SAVED: 12/14/2015		

ROTATIONAL MOLDING INC.

TITLE:
3000 Gallon Tank

SIZE	DWG. NO.	REV
A	3000-12142015REVC	C
SCALE: 1:48 WEIGHT:		SHEET 1 OF 1